

1 2 3 4 5 6 7 8

A

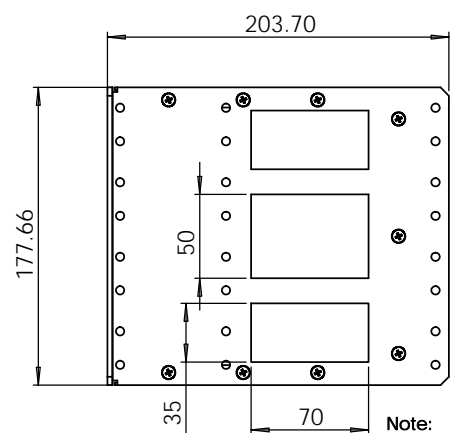
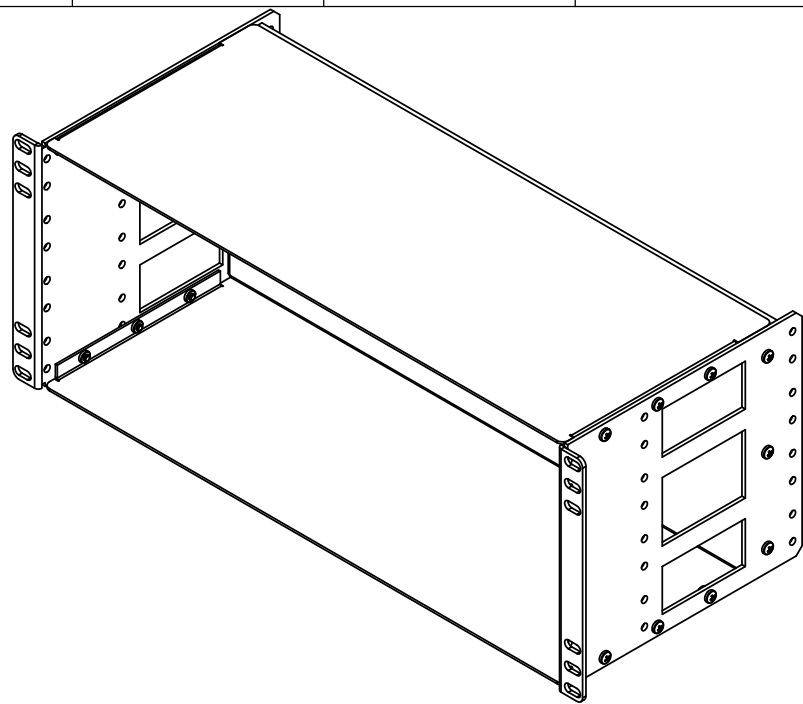
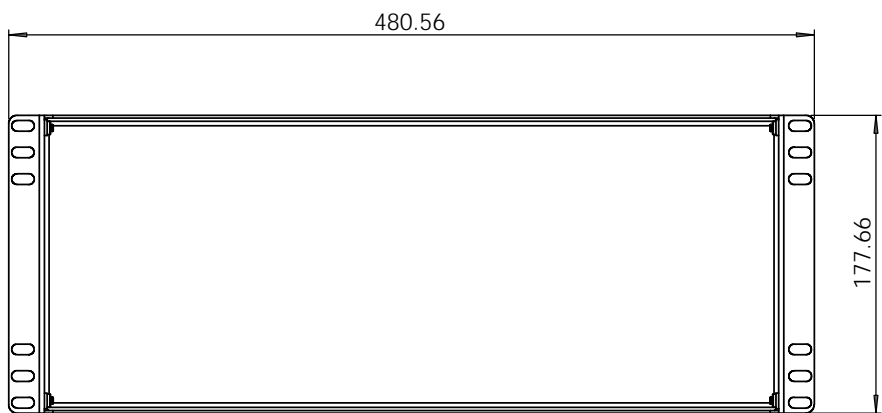
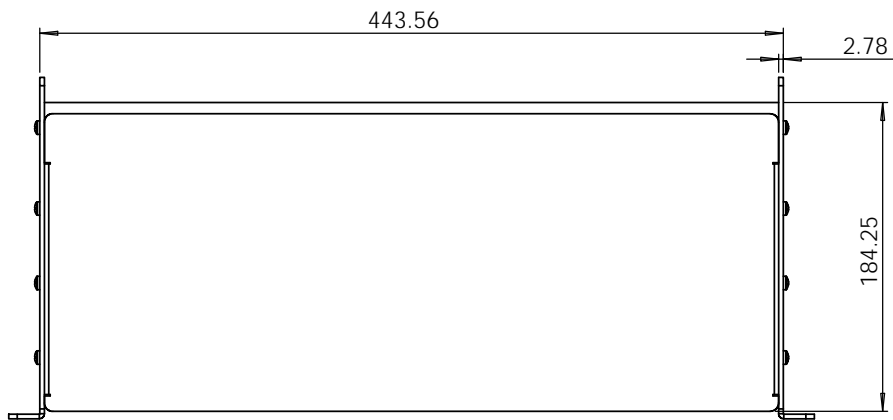
B

C

D

E

F



Note:  
 1. No sharp edges.  
 2. RoHS: Manufacturer must ensure that all components used must comply with RoHS Regulation.

**Industrial Automation & Enclosures**  
 A leading developer of industrial rackmount products  
 TEL:(516)997-5050 FAX:(516)997-5784  
 ©2016 IAE Inc /www.iaenclosures.com

<b>PROJECT NO.</b>	<b>IRP208SB-4U</b>	<b>DRAWN</b>		<b>MATERIAL</b>	12 Gauge (Ear) /14 Panle Gauge	<b>UNSPECIFIED</b>
<b>MODEL</b>	679(+)	<b>APPV'D</b>		<b>FINISH</b>	e-Coat Black / Black Power Coat	<b>TOLERANCES: ±0.15</b>
<b>PART NO.</b>	67947	<b>DATE</b>	5/20/2017	<b>SCALE</b>	1:5	<b>SHEET 1 OF 1</b>
<b>PART NAME</b>	<b>4U Box</b>	<b>REVISION</b>	V 1.0	<b>PROJECTION</b>	Third Angle	<b>UNIT:mm</b>

CONFIDENTIAL DOCUMENT DO NOT COPY